

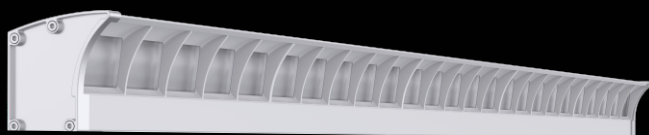


Linear G3 Tennis Court Light

Anti-glaring



*You think the light is ok
cause you never had another option*



Anti-glare, low UGR

Unique new for tennis court

BEFORE



AFTER



Specially designed linear asymmetrical optics, our linear tennis court lights have advanced advantages compared to traditional floodlights. Light softer, and much improved uniformity.



**One beam angle(P70) apply to all tennis courts,
no extra stock costs**



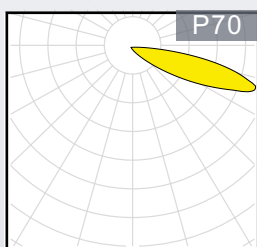
**No shadow
No glare light
No back light**



anti-glaring



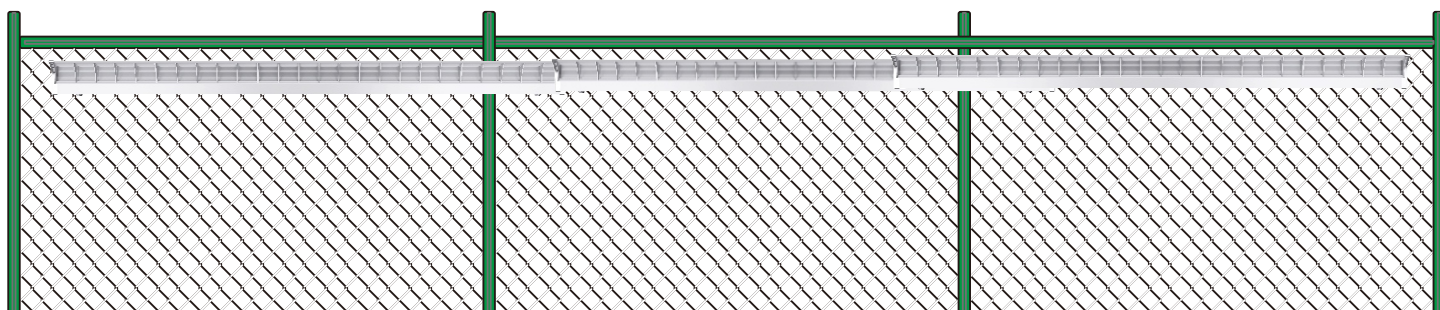
Special design is used for our tennis linear light, with a shield in front to minimize the glare and makes the light uniformity distribution, which will help players to give a nice ball back.



Polarized light output from reflecting structure offers best uniformity and lux.

Easy Installation and maintenance

More savings on labor cost and material cost



No need poles



No need machine



No need engineers

For Single Tennis Play Area

Solution 1: Class III, 200lx

2 lines of 20pcs 30W

Power option: 1200w
Lux: 200lx
Uniformity:>0.7

Solution 2: Class II, 300lx

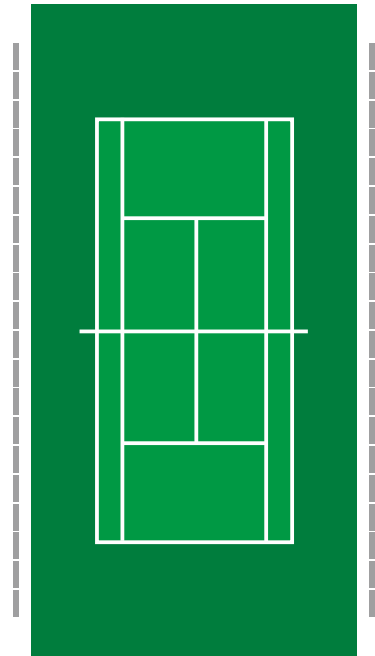
2 lines of 20pcs 43W

Power option: 1720W
Lux: 300lx
Uniformity:>0.7

Solution 3: Class I, 600lx

2 lines of 20pcs 80W

Power option: 3200W
Lux: 600lx
Uniformity:>0.7



For Double Tennis Play Area

Solution 1: Class III, 200lx

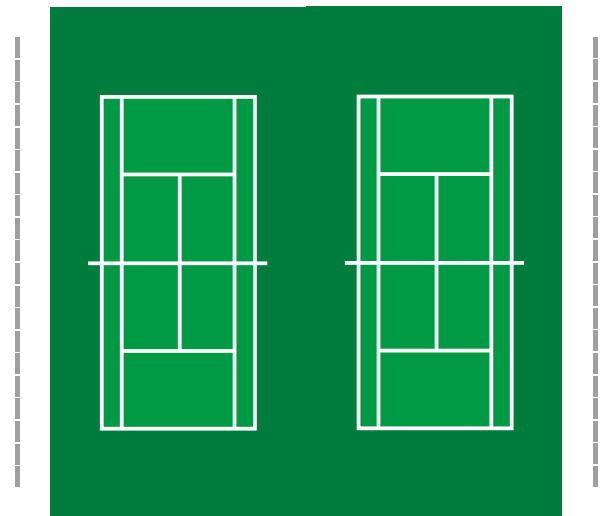
2 lines of 20pcs 60W

Power option: 2400W
Lux: 200lx
Uniformity:>0.7

Solution 2: Class II, 300lx

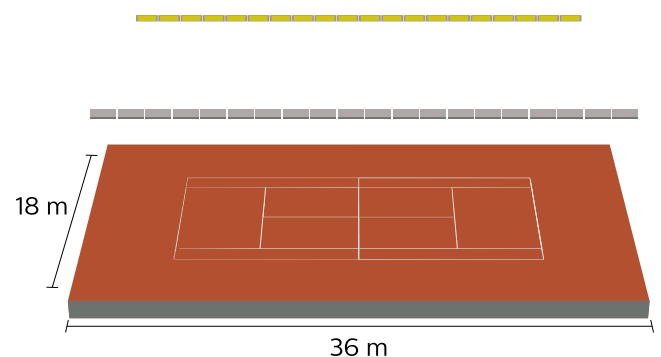
2 lines of 20pcs 80W

Power option: 3200W
Lux: 300lx
Uniformity:>0.7



Level of competition

	Class		
	I	II	III
International/ National	●		
Regional	●	●	
Local	●	●	●
Training		●	●
Recreational			●



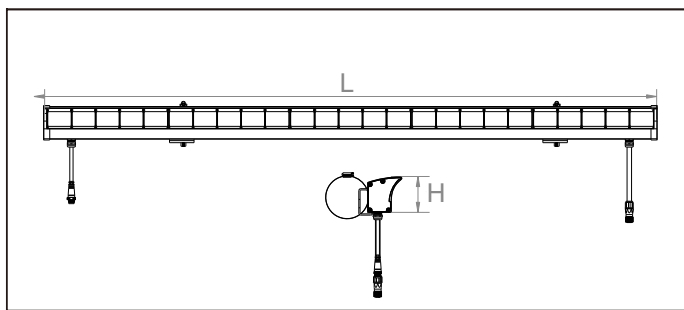


Features

- Housing: Pure Aluminum
- Thermal Conductivity: 226 W/m·K
- Led: Philips
- CRI: Ra>70
- SDCM: <6
- Power Factor: >0.95
- THD: <15
- Driver: Osram
- Driver Efficiency: >93%
- Protection: OTP, OCP, OVP, SCP
- Waterproof: IP65
- Impact Test: IK08
- Electrical: 220-240V, 50/60Hz
- Operating Temperature: -40~50°C
- TM21: L90B10>50,000H
- Lifetime: 50,000H



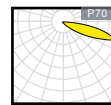
Europe Version



Functions

ZigBee · PWM · DALI · 0/1~10V

Optical options:



Model	Watt	Voltage	Effi (lm/w)	CRI	Power factor	IP	IK	Size L*W*H(mm)
TC030TE5J-PO	30W	220~240V	150lm/w	>70	>0.95	IP65	IK08	1511*117*83
TC043TE5J-PO	43W	220~240V	150lm/w	>70	>0.95	IP65	IK08	1511*117*83
TC060TE5J-PO	60W	220~240V	150lm/w	>70	>0.95	IP65	IK08	1511*117*83
TC080TE5J-PO	80W	220~240V	150lm/w	>70	>0.95	IP65	IK08	1511*117*83

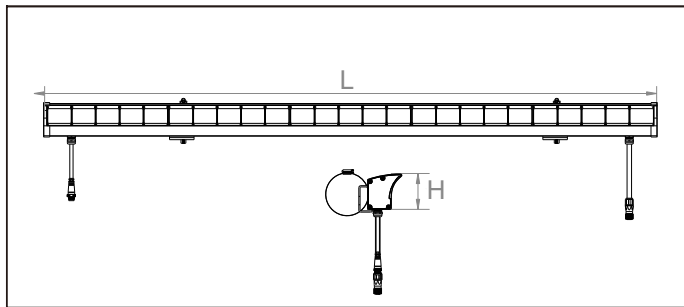


Features

- Housing: Pure Aluminum
- Thermal Conductivity: 226 W/m·K
- Led: Philips
- CRI: Ra>70
- SDCM: <6
- Power Factor: >0.95
- THD: <15
- Driver: Lifud
- Driver Efficiency: >93%
- Protection: OTP, OCP, OVP, SCP
- Waterproof: IP65
- Impact Test: IK08
- Electrical: 100-277V, 50/60Hz
- Operating Temperature: -40~50°C
- TM21: L90B10>50,000H
- Lifetime: 50,000H



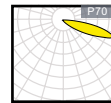
USA Version



Functions

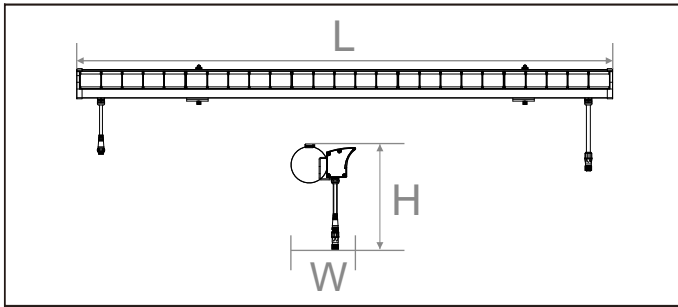
ZigBee · PWM · DALI · 0/1~10V

Optical options:



Model	Watt	Voltage	Effi (lm/w)	CRI	Power factor	IP	IK	Size L*W*H(mm)
TC030TU5J-PL	30W	100~277V	150lm/w	>70	>0.95	IP65	IK08	1511*117*83
TC043TU5J-PL	43W	100~277V	150lm/w	>70	>0.95	IP65	IK08	1511*117*83
TC060TU5J-PL	60W	100~277V	150lm/w	>70	>0.95	IP65	IK08	1511*117*83
TC080TU5J-PL	80W	100~277V	150lm/w	>70	>0.95	IP65	IK08	1511*117*83

Packing



Model	Outer Carton(mm)			QTY / Outer CTN	NW(kg)	GW(kg)
	L	W	H			
TC030TE5J-PO	1530	145	145	1	4.90	5.50
TC043TE5J-PO	1530	145	145	1	4.90	5.50
TC060TE5J-PO	1530	145	145	1	4.90	5.50
TC080TE5J-PO	1530	145	145	1	4.90	5.50